

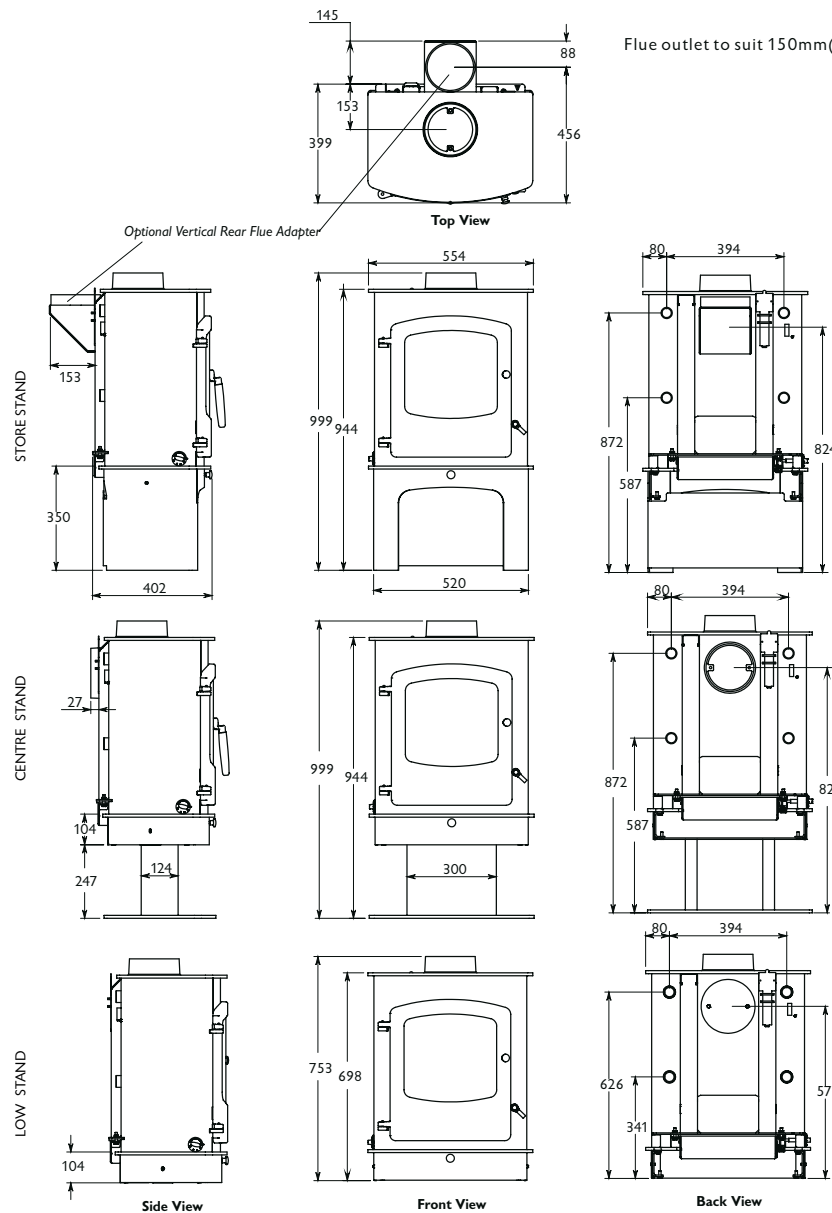
charnwood 

COVE 2B

STOVE DIMENSIONS



The COVE 2B is the latest addition to Charnwood's unrivalled range of biomass and multi-fuel boiler stoves. Based on our contemporary Cove stove the COVE 2B incorporates a thermostatically controlled integral boiler sufficient to power up to 9 radiators plus domestic hot water. The stove features Charnwood's clean burn air wash system and renowned converting grate for optimum fuel flexibility and easy ash removal.



Heat Output to Room (Wood)

NOMINAL OUTPUT (1.5hr re-loading period) - 4.6kW

Heat Output to Boiler (Wood)

NOMINAL OUTPUT (1.5hr re-loading period) - 6.4kW
 DHW & approx. 7 rads Also suitable for underfloor heating

Heat Output to Room (Anthracite)

NOMINAL OUTPUT (4hr re-loading period) - 7.1kW

Heat Output to Boiler (Anthracite)

NOMINAL OUTPUT (4hr re-loading period) - 9.3kW
 DHW & approx. 10 rads Also suitable for underfloor heating

Flue Outlet

Top or Rear 150mm (6") diameter

Maximum Log Length

370mm (14.5 inches)

Weight

145kg

Optional Accessories

Ash Carrier

Vertical Rear Flue Connector

